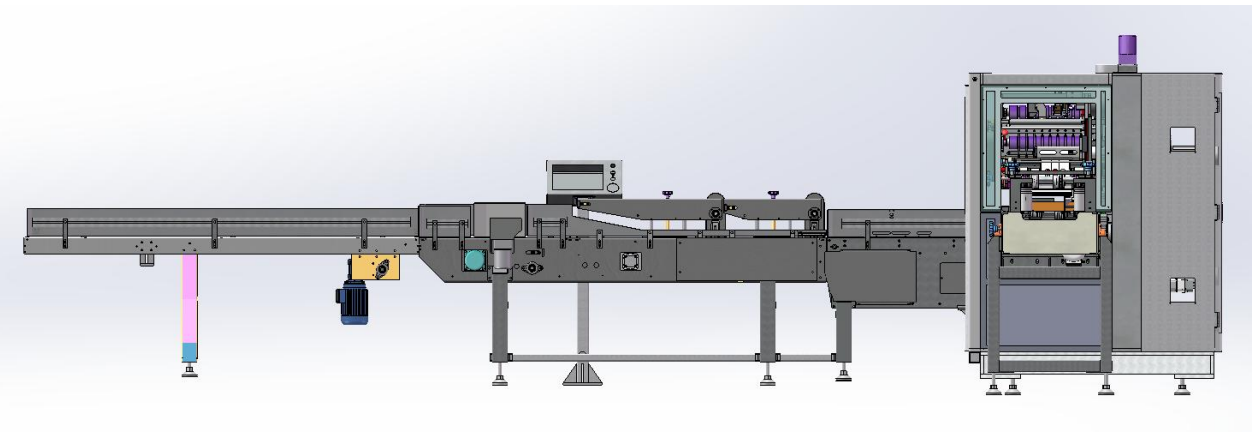
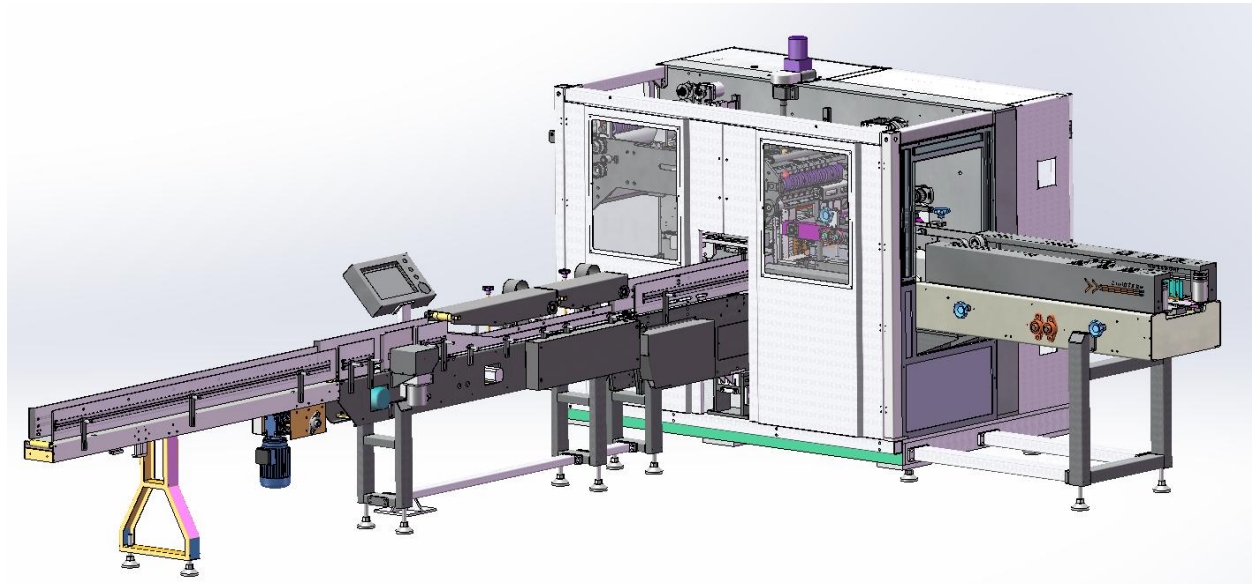
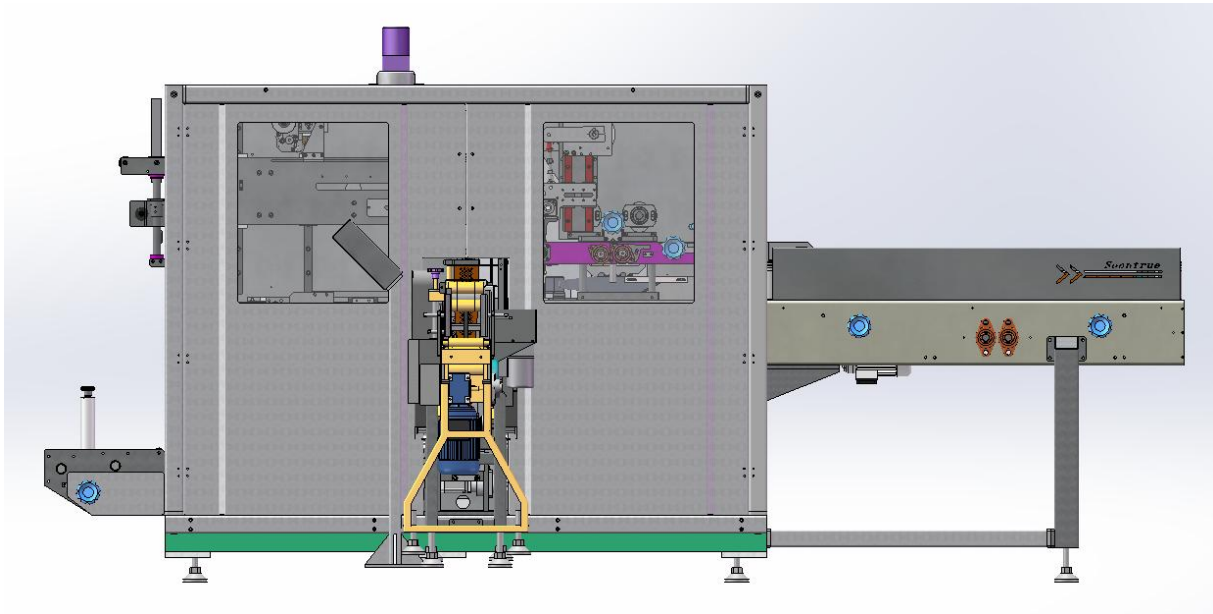


ZB300HN single soft tissue full servo control high-speed packaging machine

1. Outline dimensions diagram of the equipment

1. Equipment appearance diagram





2. Three views of the equipment

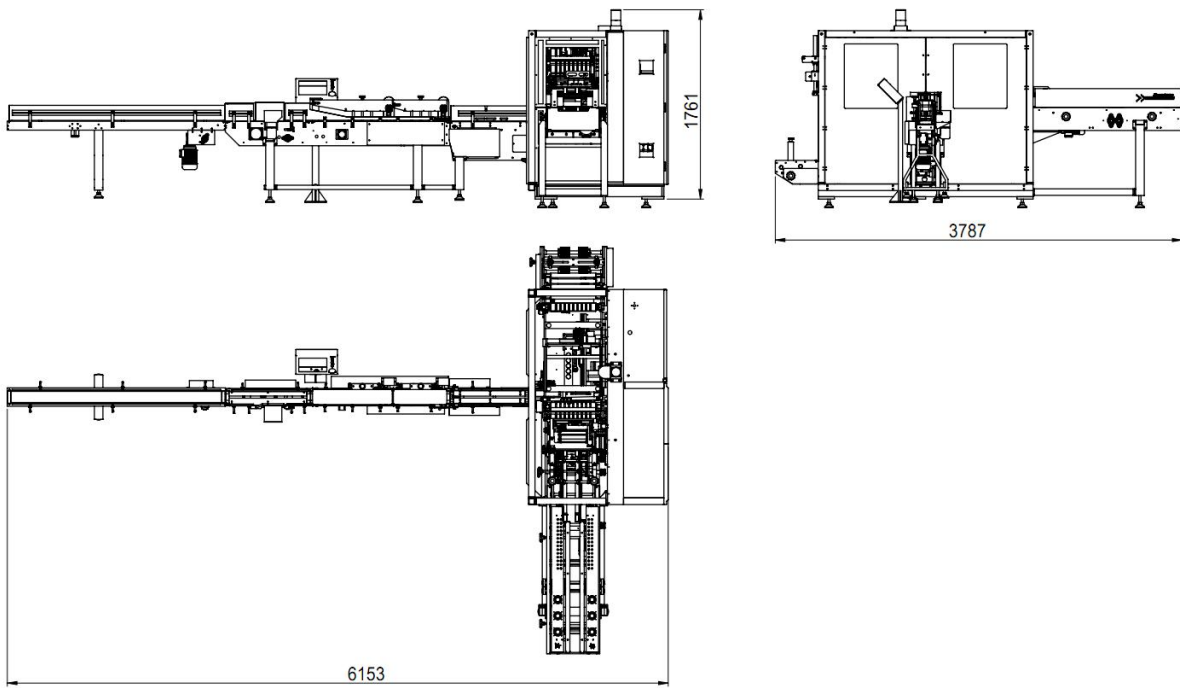


Figure 1 Overall I machine layout drawing (unit: mm)

2. Technical data of the products

2.1 Main technical parameters

2.1.1. On the basis of replacing individual parts, L * W * H (mm):

Length: 95- -200mm(For max 230mm length, it need some changes)

Width of 80- -110mm

Height of 30- -100mm

2.1.2. Packaging materials: CPP (double-sided hot sealing film);

Packaging film thickness: 0.04mm;

Max. outer diameter of packaging film: \varnothing 450mm;

Diameter of packaging film coil core: 75mm- -78mm;

2.1.3. Packaging speed (bags/ min): Stable speed 150-200bags/min

2.1.4. Equipment external dimension (length x, width x, height): 615337871761 (mm);

2.1.5. Power supply: 3-phase 380V 50HZ

2.1.6 The total power is about 24KW

No	Electric Part	Power (kw)	No	Electric Part	Power(kw)
1	Sealer up and down servo	2.5	13	Channel turning servo	1.0
2	Film pulling servo 1	0.75	14	Move forward servo	1.0
3	Film pulling servo 2	0.75	15	Feed servo	0.75
4	Middle send servo	2.0	16	Down plug in servo	0.75
5	Movable folder serveo	1.0	17	Cutter servo	0.4
6	Perforation servo	0.4	18	Discharge motor	0.37
7	Tissue press servo	0.4	19	Material motor	0.18
8	Tissue sealing servo	0.4	20	Extended tail conveyor motor	0.18
9	Pusher servo	2.0	21	Heat total power	5.4
10	Film support servo	2.0	22	Paper push motor	0.06

11	Tissue tidy servo	0.4	23	Blade lift motor	0.12
12	Film wrapping servo	0.75	24	Correction motor	0.04

2.1.6. Machine weight: 3,200 kg;

2.1.7. Compressed air (MPa): pressure 0.5- -0.8;

2.1.8. Machine noise: 80dB;

2.2 Performance and Characteristics:

2.2.1 The whole machine structure is simple, the power system and packaging system are new open structure, easy to adjust and maintain; the compact size, small area, easy layout and operation and maintenance; the solid structure, small vibration and stable packaging effect;

2.2.2 Film split cutting and dotted line cutting knife adopts spring rotary knife, powered by servo motor, do not work when there is no material, improve the service life of the cutting knife;

2.2.3 Post-turn compaction package structure, simple adjustment, stable and beautiful packaging effect;

2.2.4 Box type combination structure, high vibration and stability;

2.2.5 Human-machine interface is friendly. After entering the relevant packaging parameters, the initial position is automatically calculated, and the relevant setting parameters can be saved to replace the specifications and reduce the replacement time.

2.2.6 Adopt the three-dimensional packaging form of wrapping, folding edge, sealing edge, compact structure, beautiful, good end sealing and side ironing effect;

2.2.7 Air defense package function, increase the series of material unit and auxiliary photoelectric eye tracking before feeding, avoid connecting package, multiple feed and paper length, short paper feed, improve the quality of product packaging; the unqualified feeding mechanism can not pass and empty membrane function, save packaging materials to the maximum extent;

2.2.8 Electronic hand wheel is adopted to replace the mechanical hand wheel structure (the first in the industry), with convenient and accurate control;

2.2.9 The feed paper alarm protection function of ultra-long and ultra-short error, to avoid the mechanical damage caused by paper length and short paper error and the length of paper caused by unqualified packaging, resulting in the waste of packaging film. At the same time, reduce the waste rate of products;

2.2.10 Choose ribbon type printer or hot transfer printer (optional):

2.2.11 The conveying line body can be used together (the length required by the customer or the scheme drawing signed by both parties);

2.2.12 Equipped with membrane release tension automatic adjustment device;

2.2.13 With the function of automatic stop film, namely,: no product no film, product film;

2.2.14 Open the medium delivery channel with its own intellectual property rights- -close the structure;

2.2.15 Optional special-shaped tear parts (optional)

2.2.16 Remote diagnosis module, visual inspection module and Internet of Things module are optional.

2.3 Packaging form and renderings:



2.4 Packaging flow chart:

